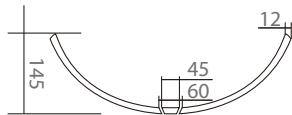


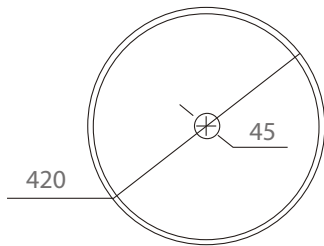
V-GLS153

Dimensions

Setting: mm



Front View

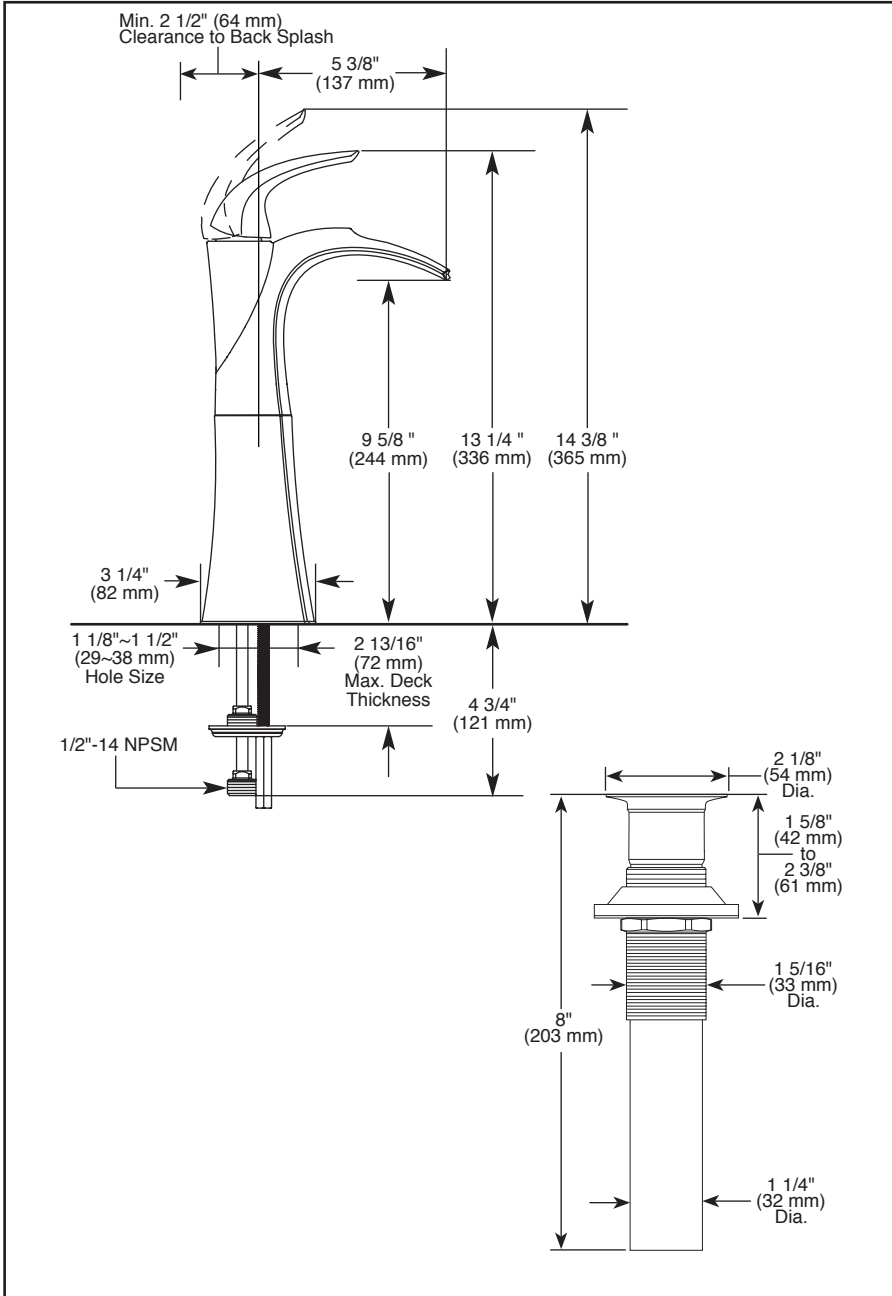


Top View



Submitted Model No.: _____

Specific Features: _____



▲ Designate Proper Finish Suffix



LAVATORY FAUCET

- Single Handle Deck Mount
- Single Hole Riser Model

STANDARD SPECIFICATIONS:

- Maximum 1.50 gpm @ 60 PSI, 5.70 L/min @ 414 kPa
- Maximum (ECO models only) 1.20 gpm @ 60 PSI, 4.54 L/min @ 414 kPa
- Solid brass fabricated body
- One hole mount
- Control mechanism is replaceable cartridge with ceramic plates
- Grid strainer without overflow holes

WARRANTY

- Lifetime limited warranty on parts (other than electronic parts and batteries) and finishes; or for commercial users, for 5 years from the date of purchase.
- 5 year limited warranty on electronic parts (other than batteries); or for commercial users, for 1 year from the date of purchase. No warranty is provided on batteries.



COMPLIES WITH:

- ASME A112.18.1 / CSA B125.1
- ASME A112.18.2 / CSA B125.2
- Indicates compliance to ICC/ANSI A117.1
- EPA WaterSense®
- Verified compliant with 0.25% weighted average Pb content regulations.



55 E. 11th Street, Indianapolis, Indiana, 46280
 350 South Edgeware Rd., St. Thomas, Ontario N5P 4L1
 © 2016 Masco Corporation of Indiana

Delta reserves the right (1) to make changes in specifications and materials, and (2) to change or discontinue models, both without notice or obligation. Dimensions are for reference only. See current full-line price book or www.deltafaucet.com for finish options and product availability.

DSP-L-17708LF Rev. C