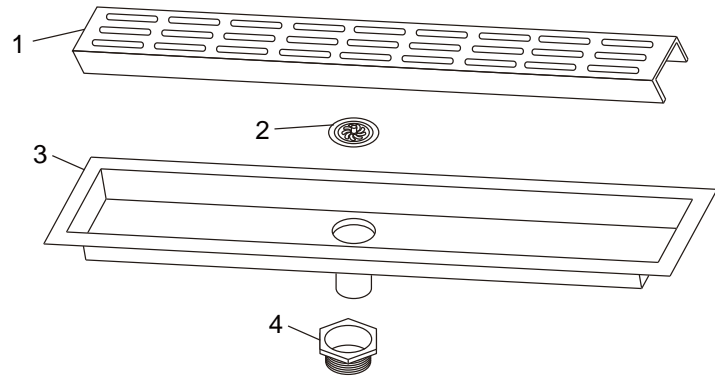
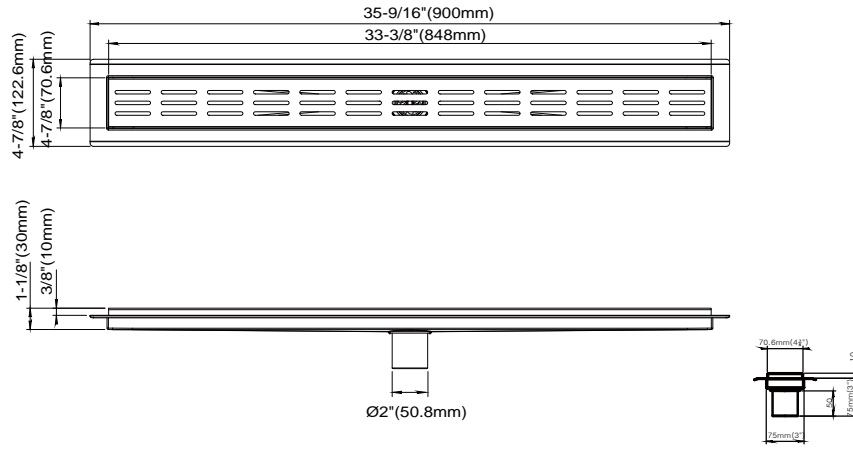
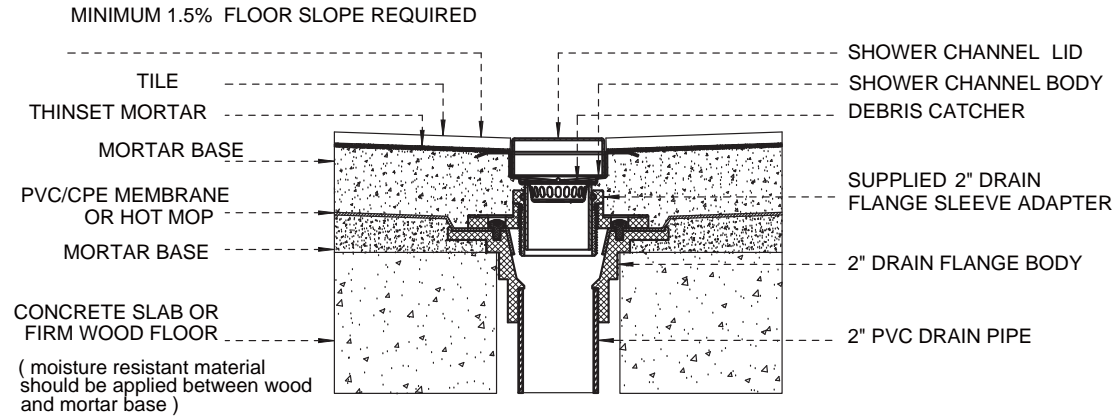


SH-900B

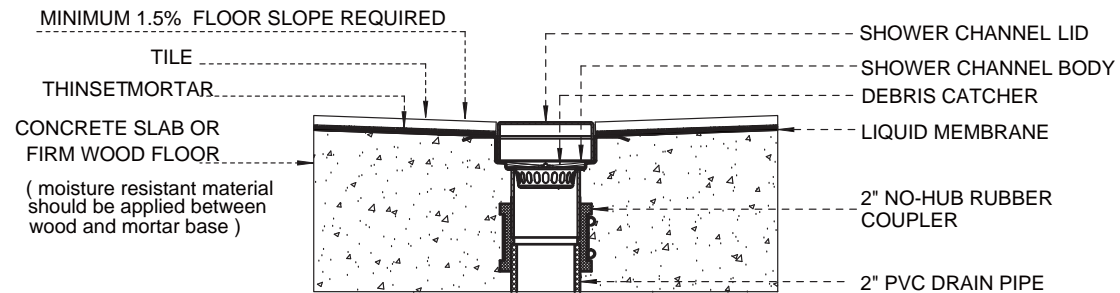


NO	Description	Quantity	Factory No.	RP No.
Numéro	Description	Quantité	Numéro d'usine	Numéro de RP.
1	Cap / Coupole de finition	1		
2	Fix ring / Anneau de fixation	1		
3	Body / Corps	1		
	Connector / Connecteur	1		

SHOWER CHANNEL INSTALLATION WITH 2" DRAIN FLANGE BODY AND HOT MOP WATERPROOFING



SHOWER CHANNEL INSTALLATION WITH 2" NO-HUB RUBBER COUPLER AND LIQUID MEMBRANE



SHOWER CHANNELS MUST BE INSTALLED BY REGISTERED PLUMBERS WITH APPROVED INSTALLATION AND WATERPROOFING MATERIAL