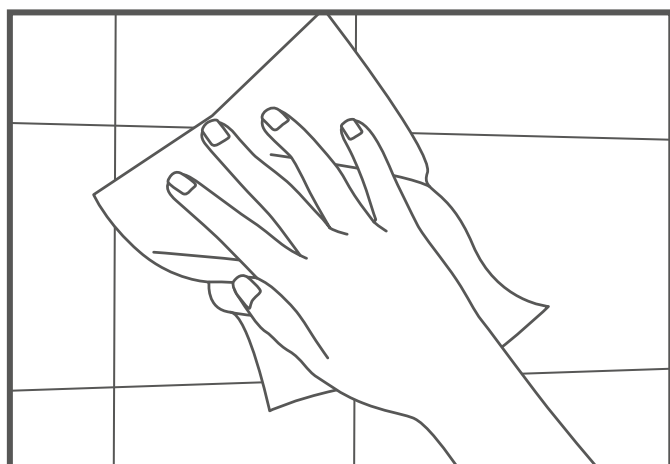


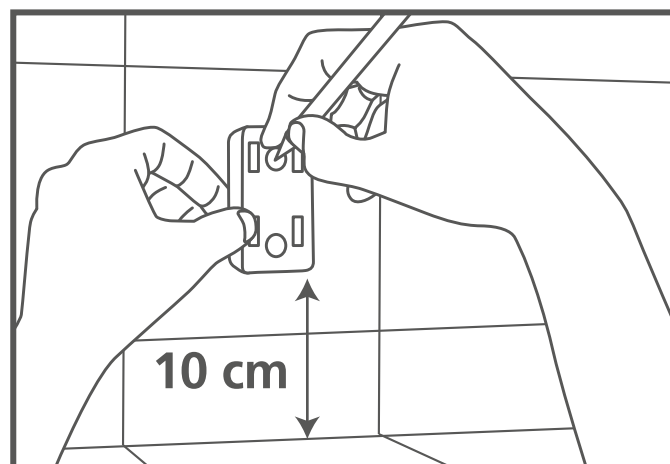
Flex™ Wall

Wall-mounted toilet brush

How to install

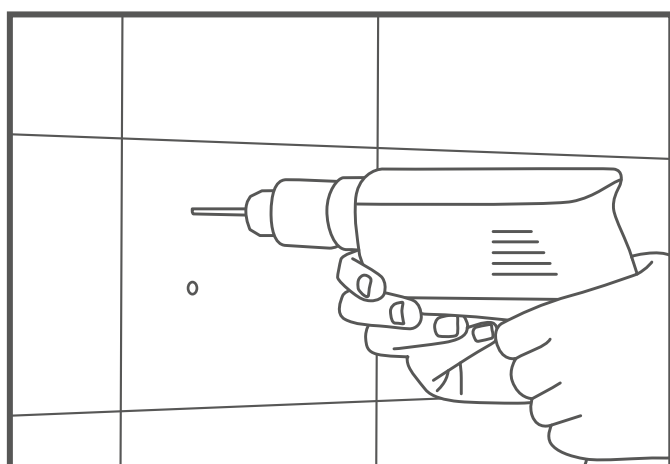


1 Clean mounting surface and dry completely.

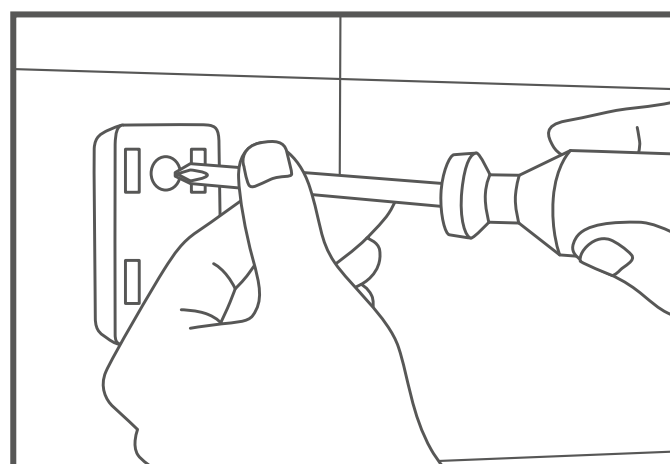


2 Lightly mark position of screw holes in bracket with a pencil.

Important: Min distance from floor 10cm (4").



3 Drill holes (6 mm diameter).



4 Fix bracket into place using screws and fixings provided.



5 Attach holder.